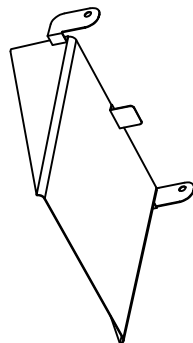
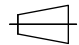

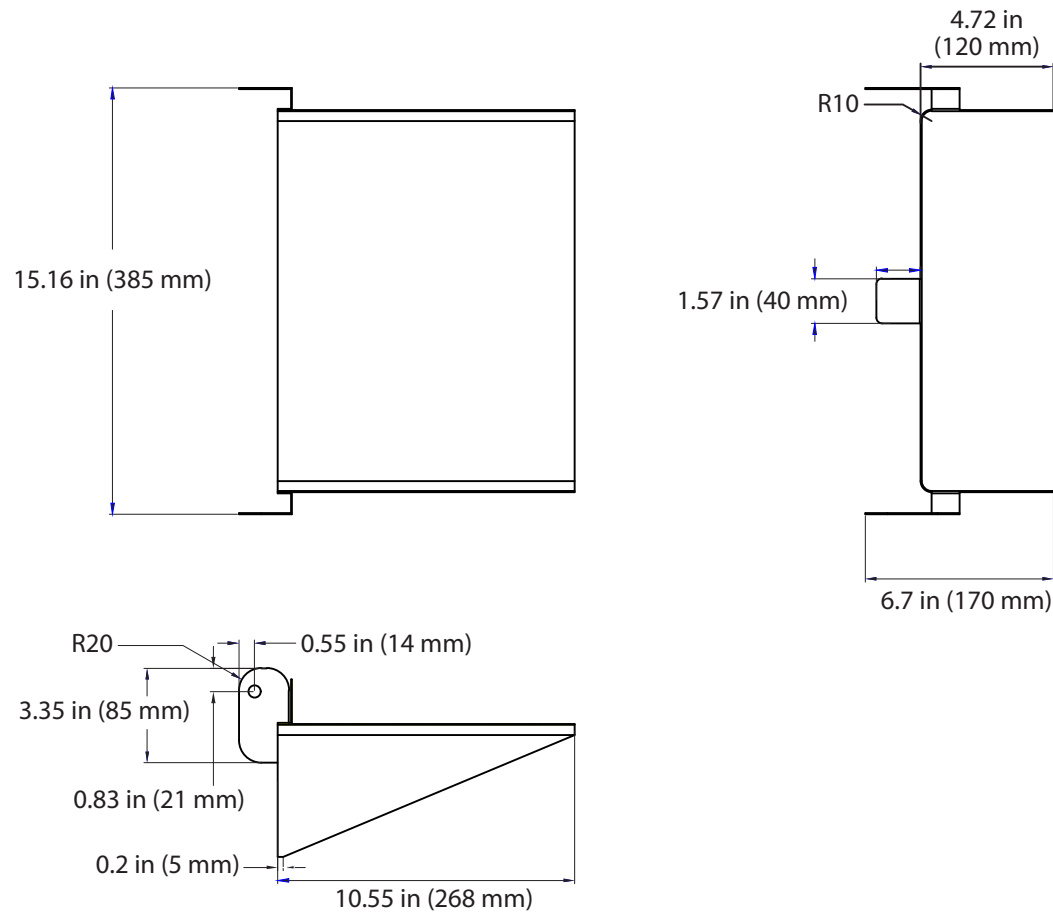


Back Shield for small SAL

Product Dimensions

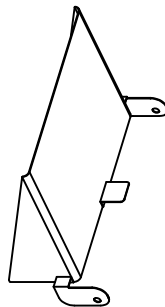


 
SCALE : 1:1
Measure Tolerance is: ±0.15 mm, ±0.01in
Material: Aluminium

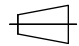



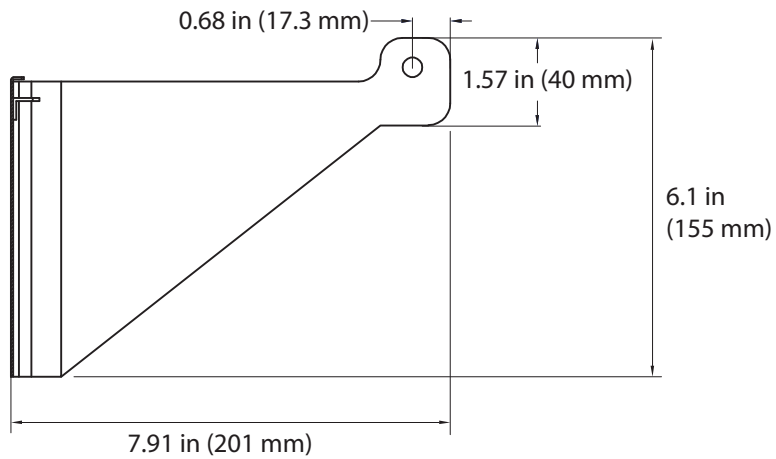
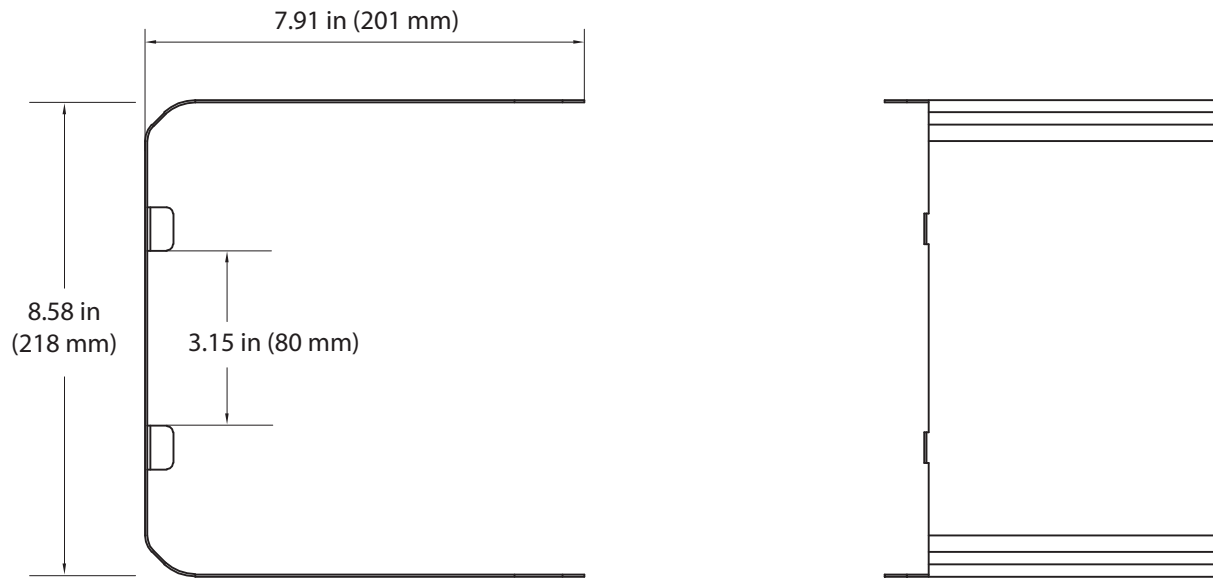
Front Shield for large SAL

Product Dimensions



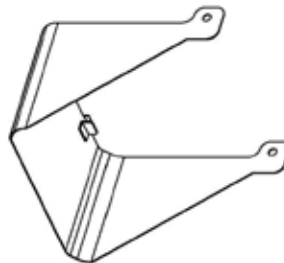
Unit: inch

	
SCALE : 1:1	
Measure Tolerance is: ±0.15 mm, ±0.01in	
Material: Aluminium	

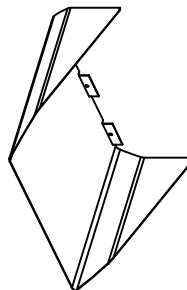
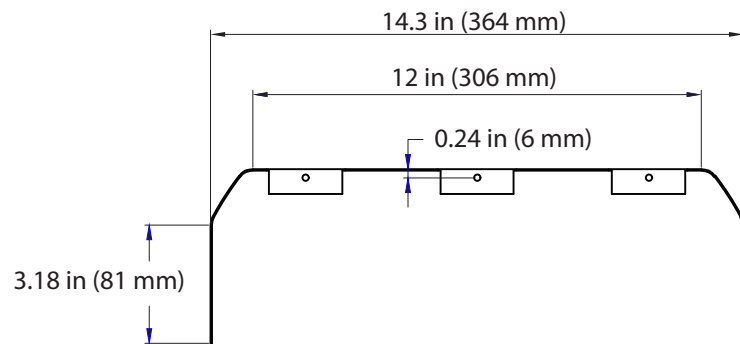
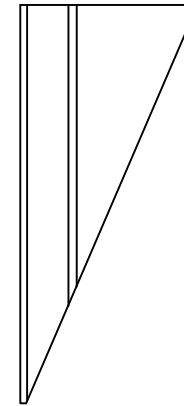
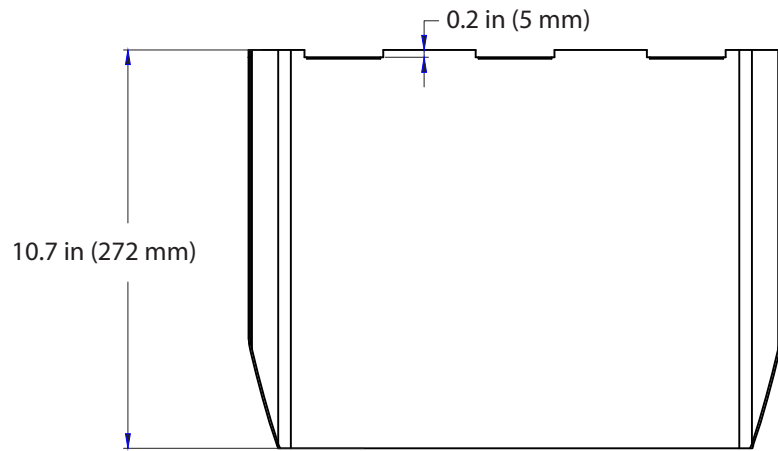


Front Shield for small SAL

Product Dimensions



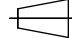

SCALE : 1:1
Measure Tolerance is: ±0.15 mm, ±0.01in
Material: Aluminium



Front Shield for large SAL

Product Dimensions

Unit: inch

	
SCALE : 1:1	
Measure Tolerance is: ±0.15 mm, ±0.01in	
Material: Aluminium	